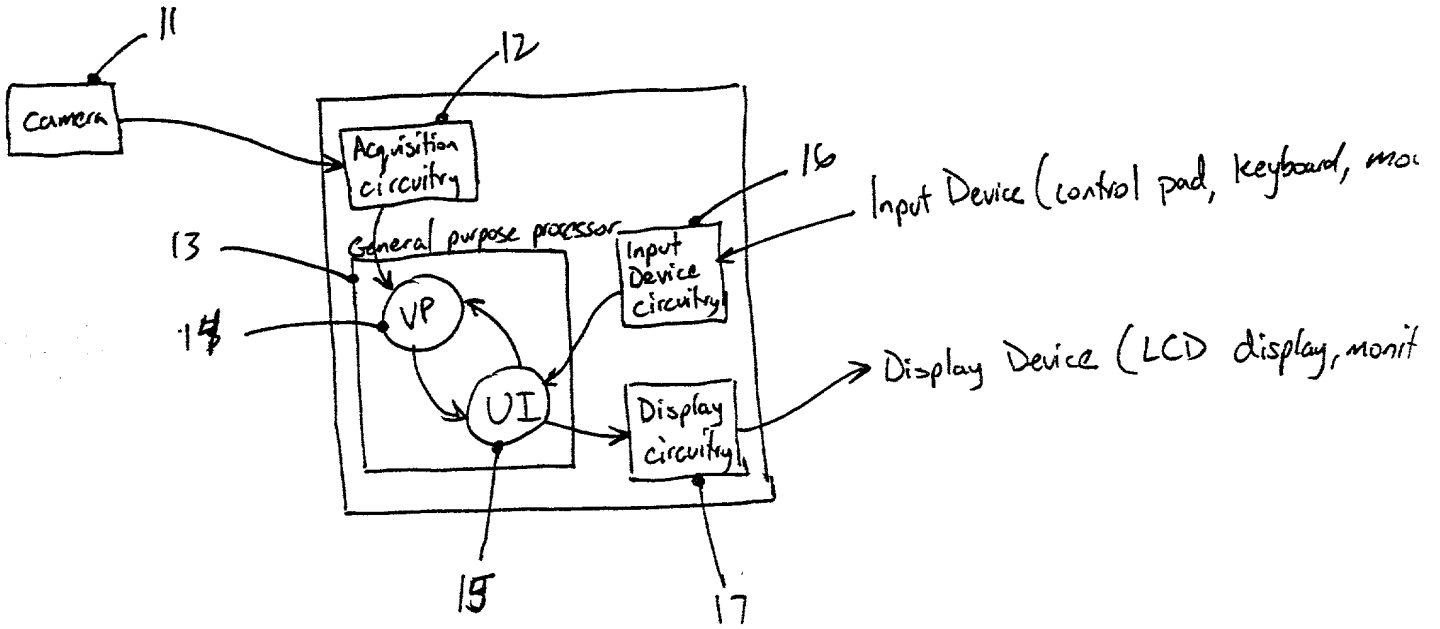


FIG 1

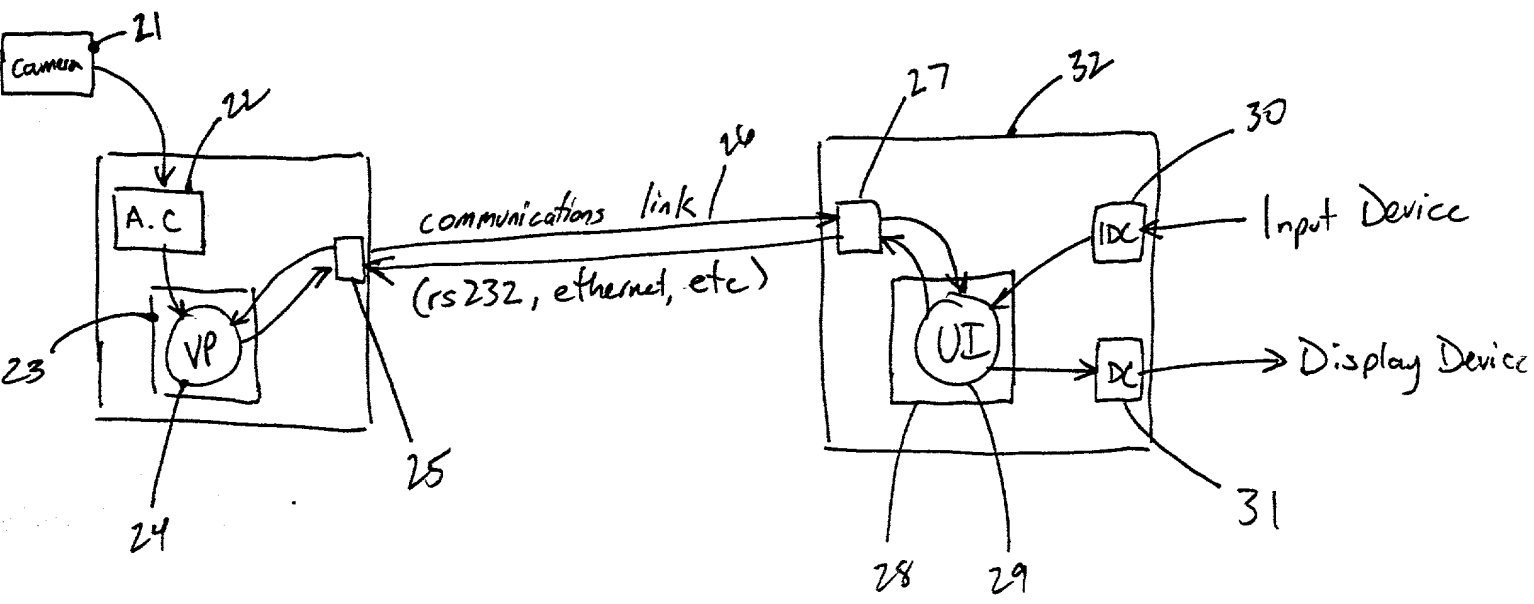
single computer vision system



PRIOR ART

TOP SECRET

FIG 2 Dual computer vision system



FOR OFFICIAL USE ONLY

PRIOR ART

FIG 3 UI connecting to many VPs via a network

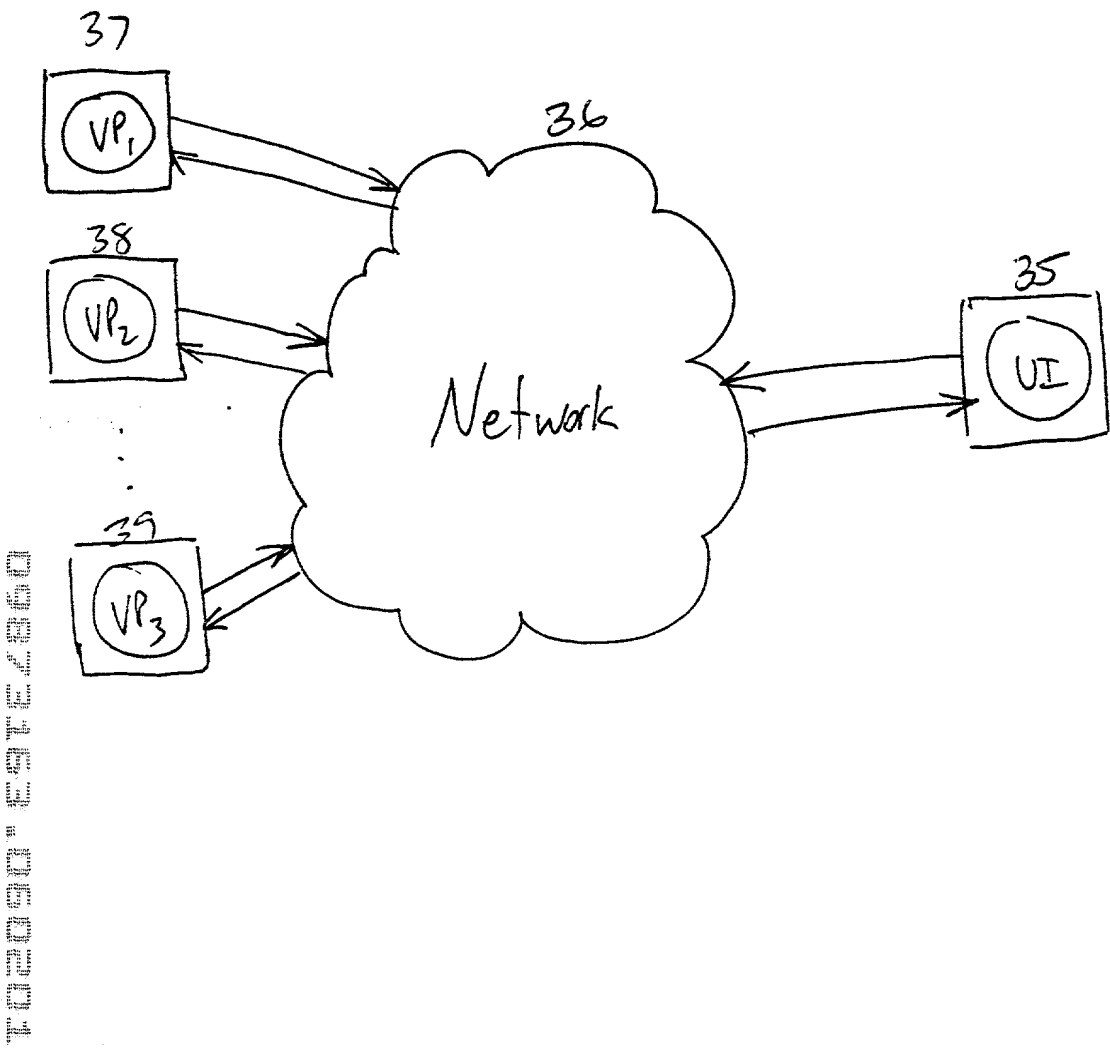


FIG 4

Connection, configuration, and monitoring by a developer

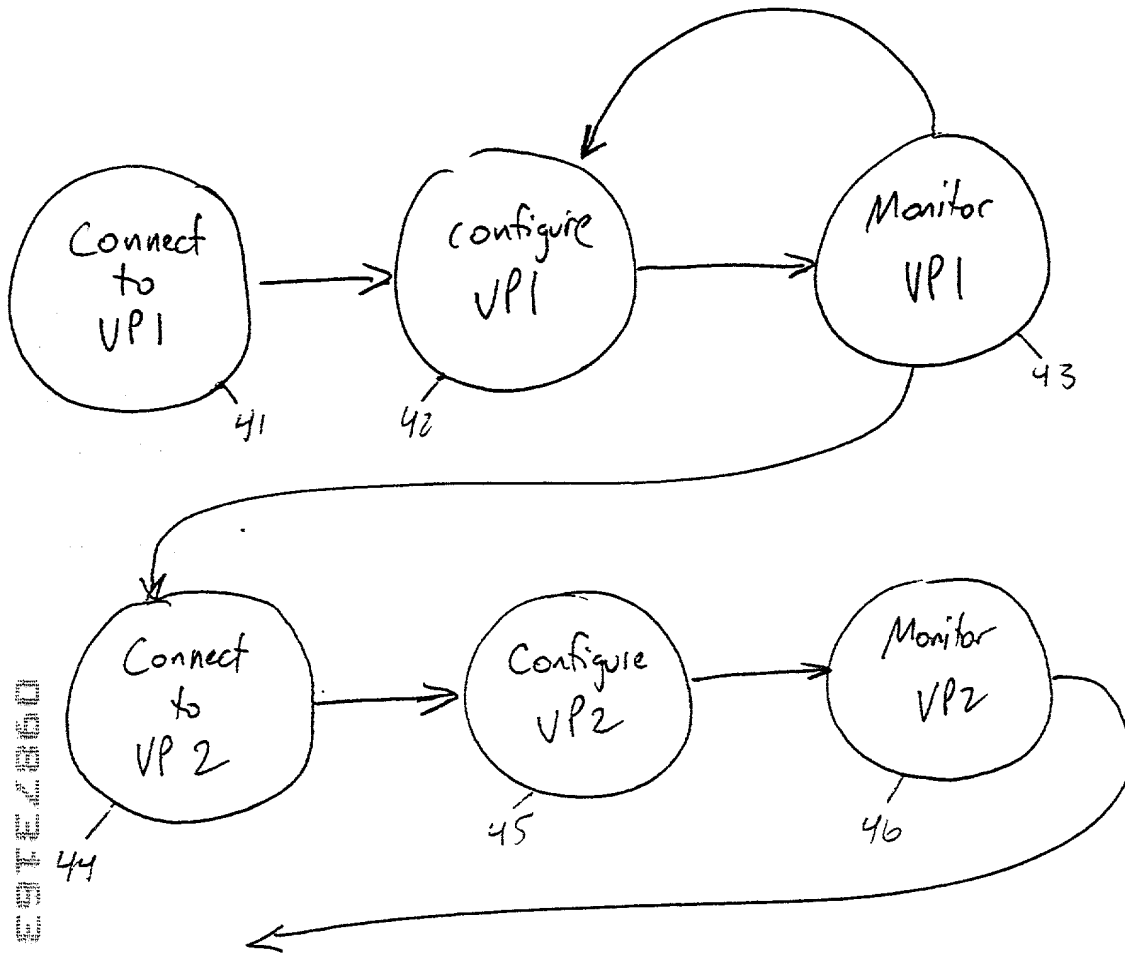
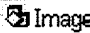


FIG 4

PRIOR ART

09216.0001

A3= ListBox("name0","name1","name2")

	A	B	C	D	E	F	G	H	I
0	 Image		52						
1									
2	<input type="checkbox"/> select		53						
3	name0								
4	name1								
5	name2								
6									
7									
8									
9									
10									
11									
12									
13									
14									
15									
16									
17									
18									
19									

is3k000018 Local Offline

FIG 5

controls.bmp

FOOTPRINT

A2= Link("Link to System1", "System1", "", "")

	Parameter	Value
0	Label	"Link to System1"
1	Host Name	System1
2	Dialog Label	
3	Cursor Position	

OK Cancel OK

A text string is referenced to a text string. Labels are displayed on the spreadsheet.

61 62 63 64

FIG 6

link1.bmp

102030" ESTE 2880

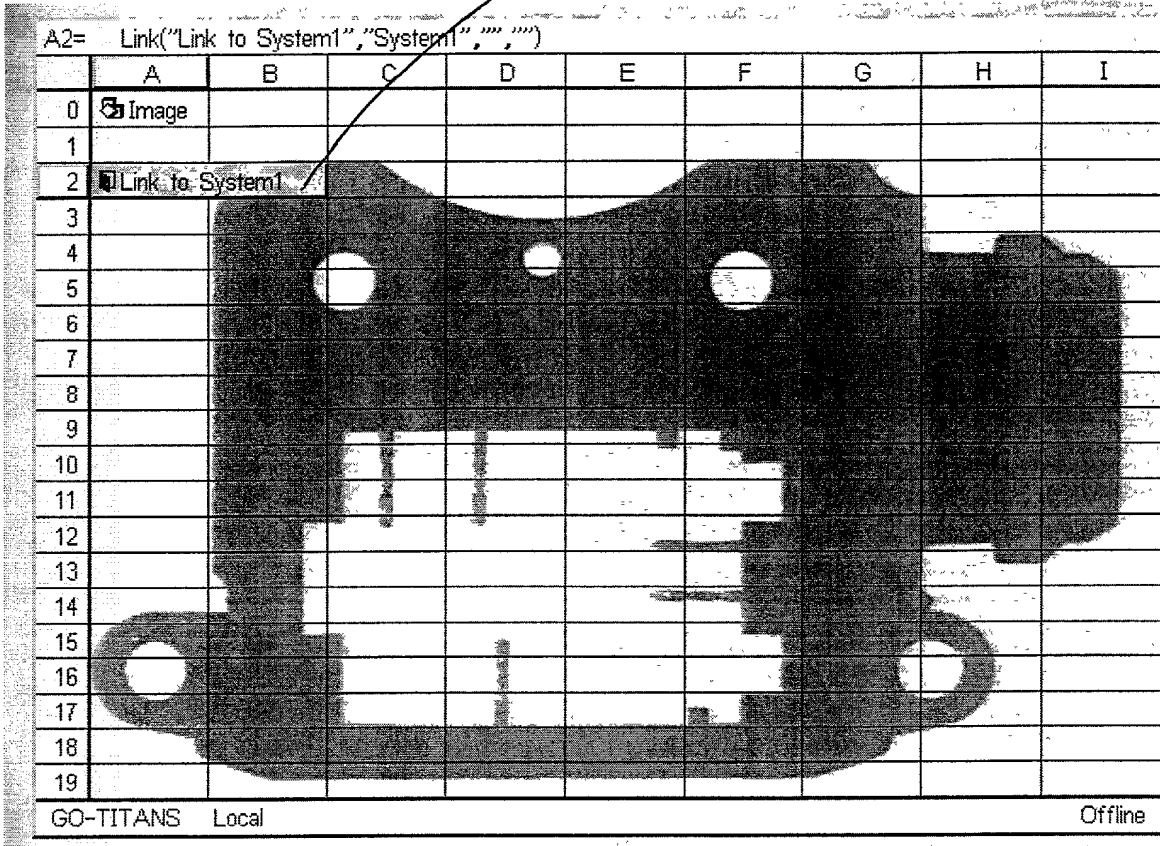
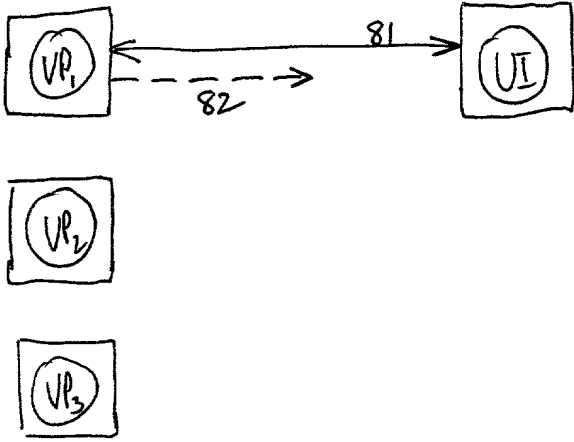


FIG 7

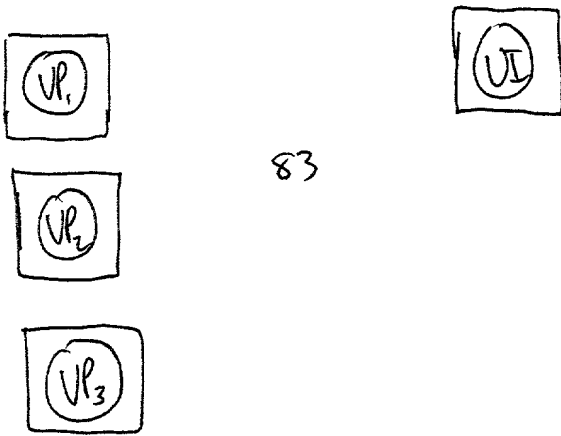
link2.bmp

FIG 8

a)



b)



c)

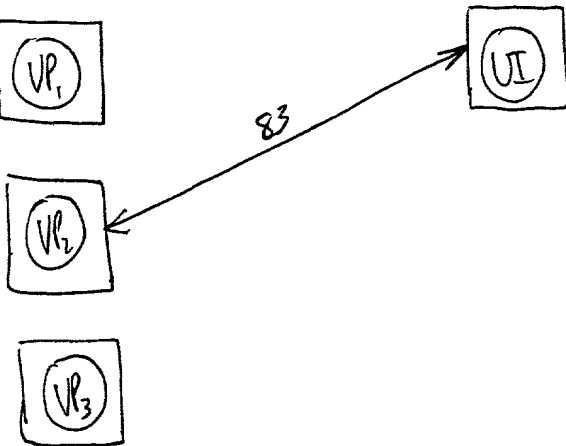


FIG 9

```
Acquire Image (...)  
if (ReadBarcode fails)  
  Link ("FailureSystem")  
else  
  :  
  <additional VP functions>  
  :
```

FIG 9